

Last update: Auguts 2014

LAMPIRAN

AIRPORT LAYOUT



Fasilitas Utama

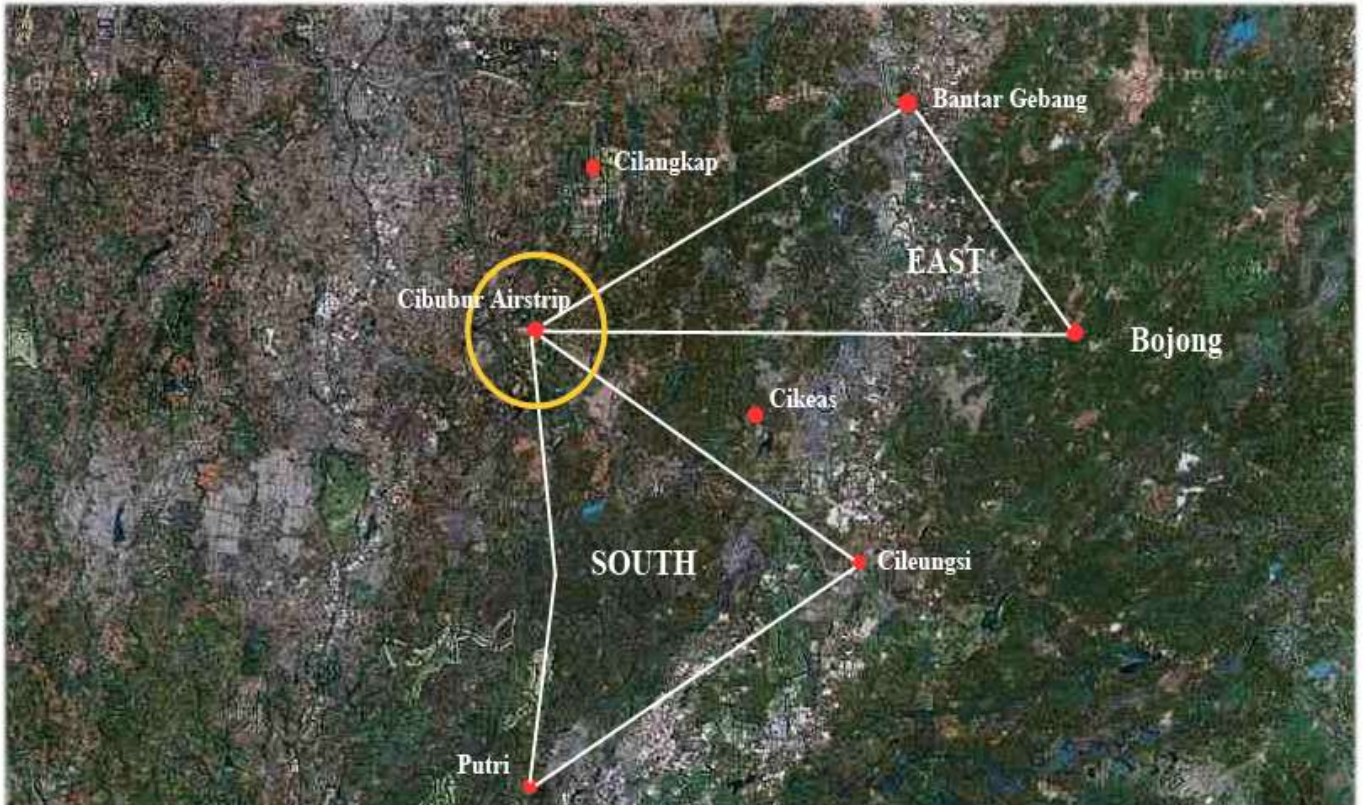
- a. Air Strip
- b. Wind Shock
- c. Aeromodelling Strip
- d. Class Room
- e. Apron
- f. Club House
- g. Aircraft Hangar

Last update: Auguts 2014



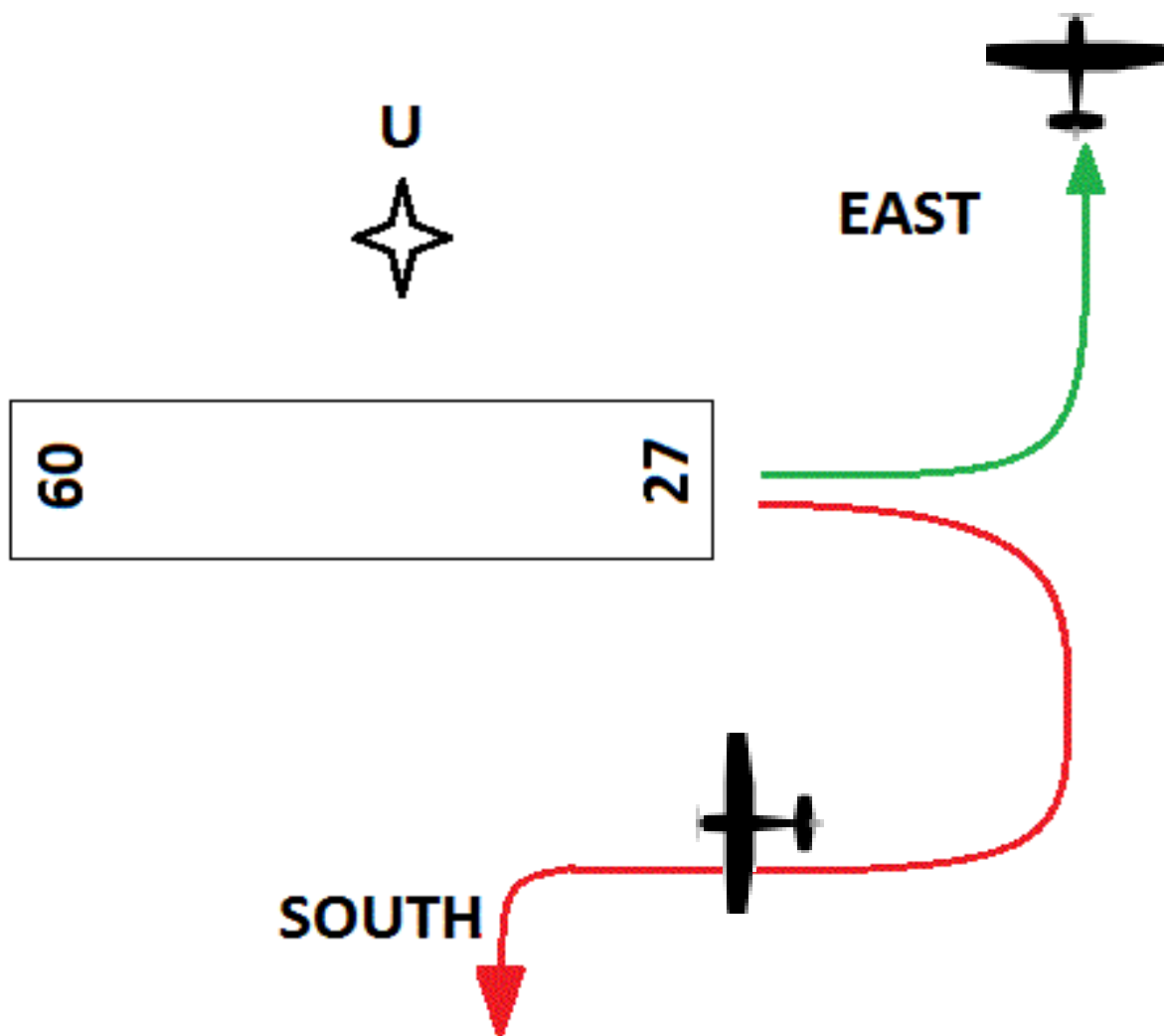
FIGUR A

CIBUBUR TRAINING AREA



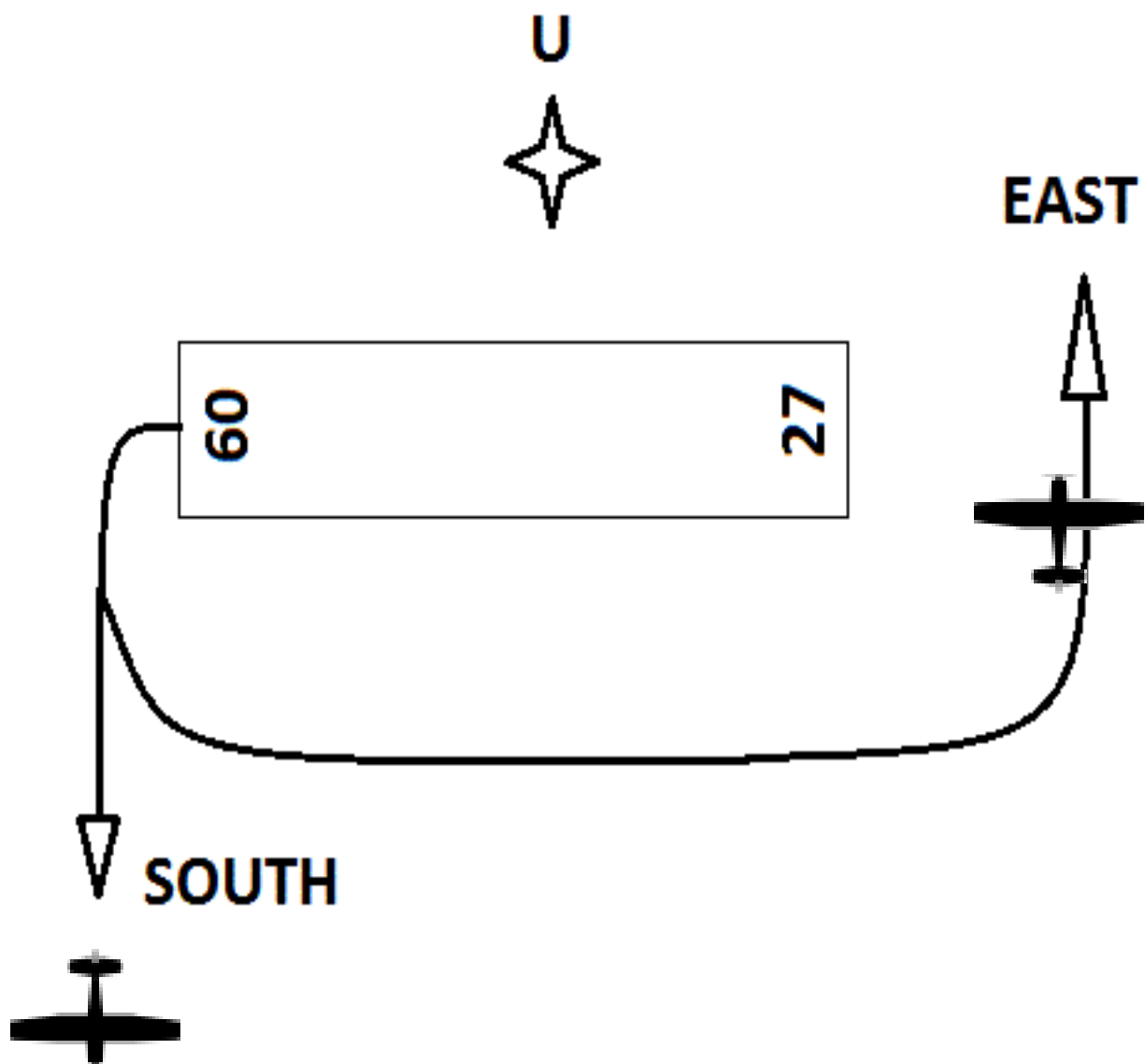
FIGUR B

DEPARTURE RUNWAY 09



FIGUR C

DEPARTURE RUNWAY 27

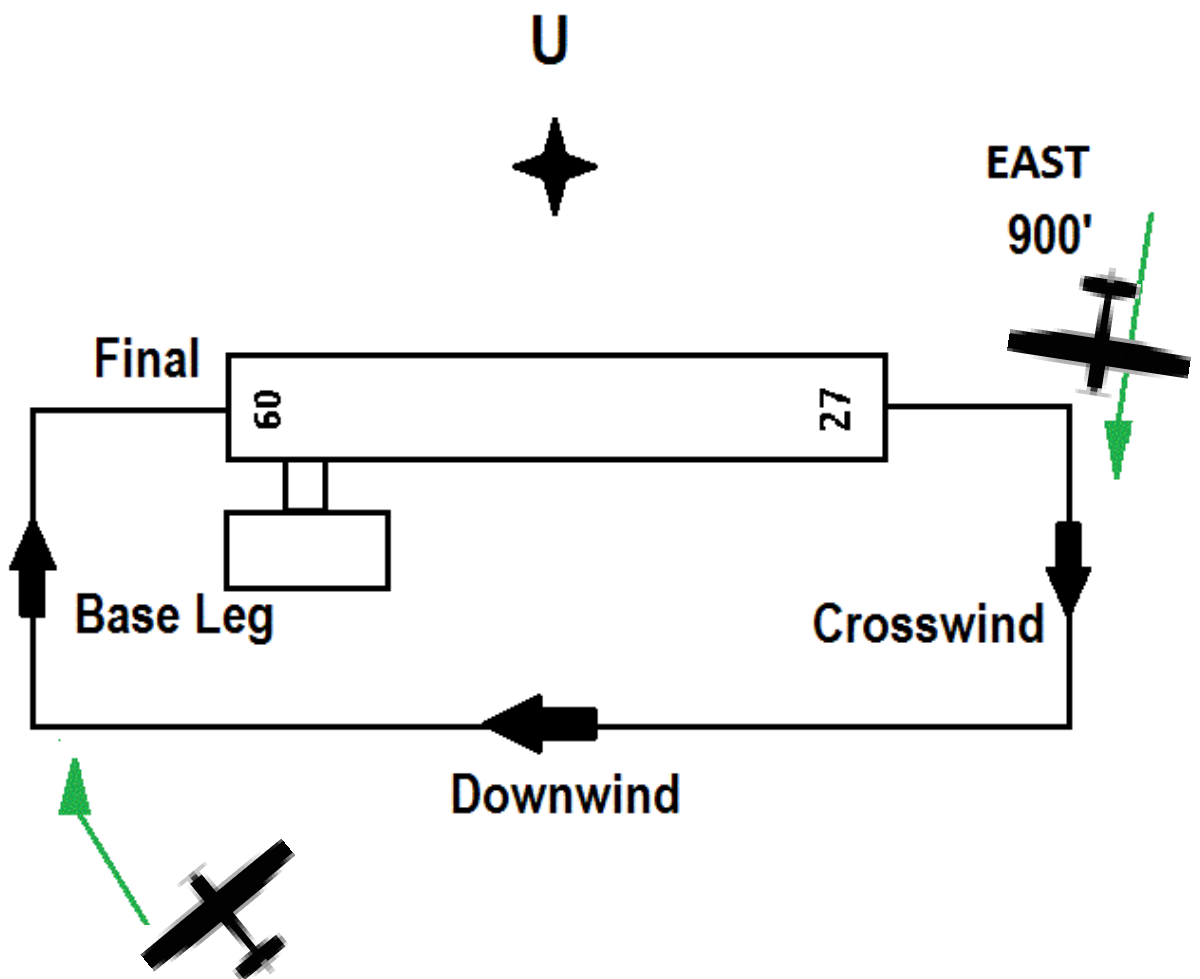


Last update: Auguts 2014



FIGUR D

ARRIVAL RUNWAY 09



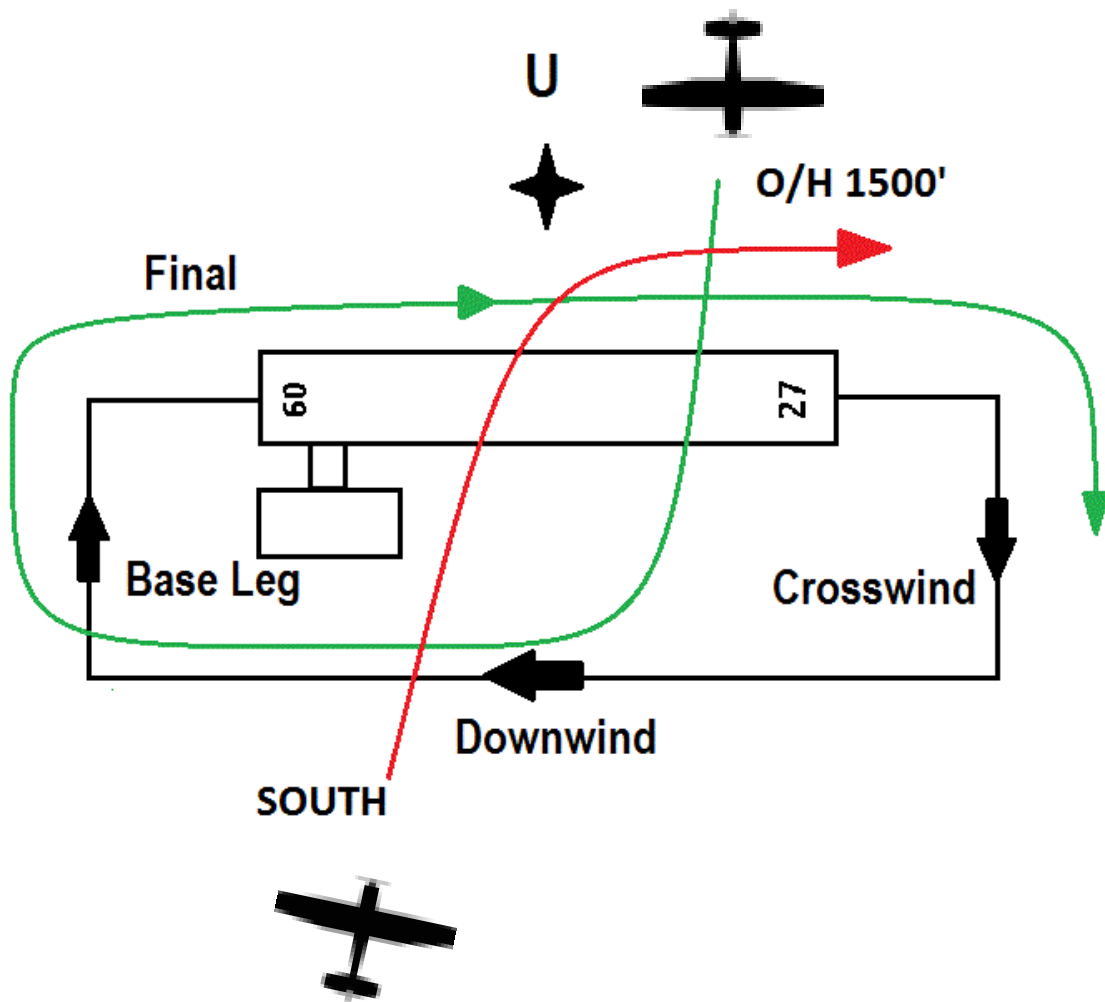
Last update: Auguts 2014



FIGUR D 1

STANDARD OVERHEAD REJOIN O/H 1500 FEET

ARRIVAL RUNWAY 09

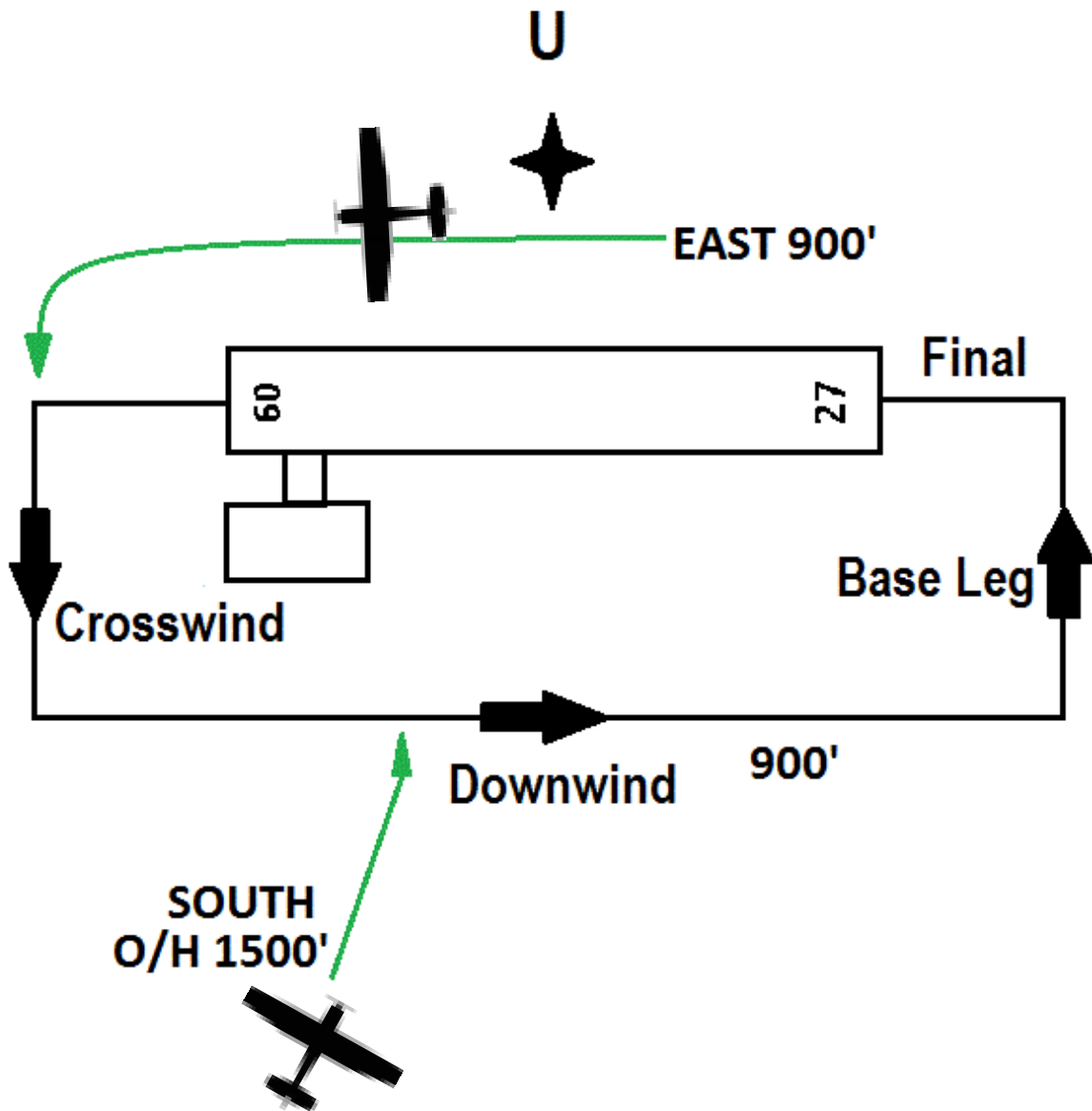


Last update: Auguts 2014



FIGUR E

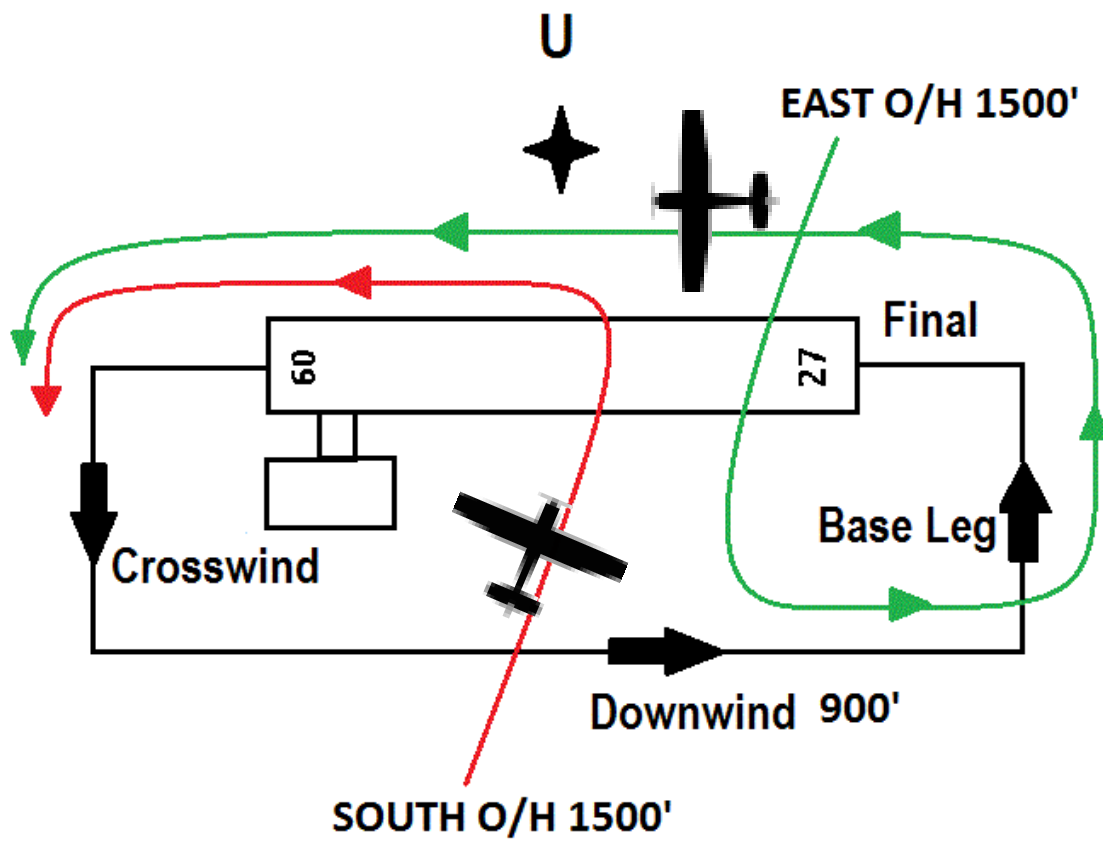
ARRIVAL RUNWAY 27



FIGUR E 1

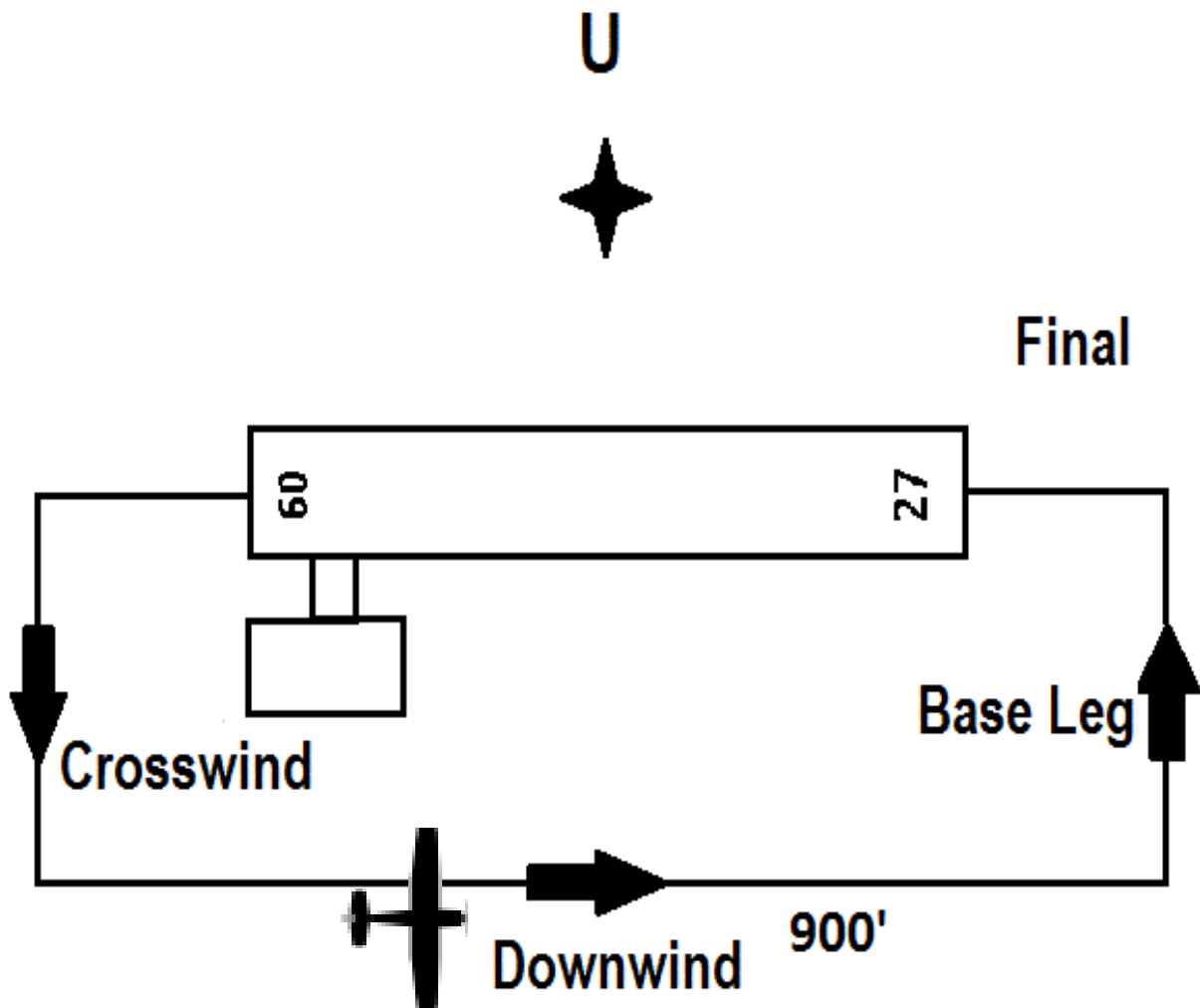
STANDARD OVERHEAD REJOIN O/H 1500 FEET

ARRIVAL RUNWAY 27



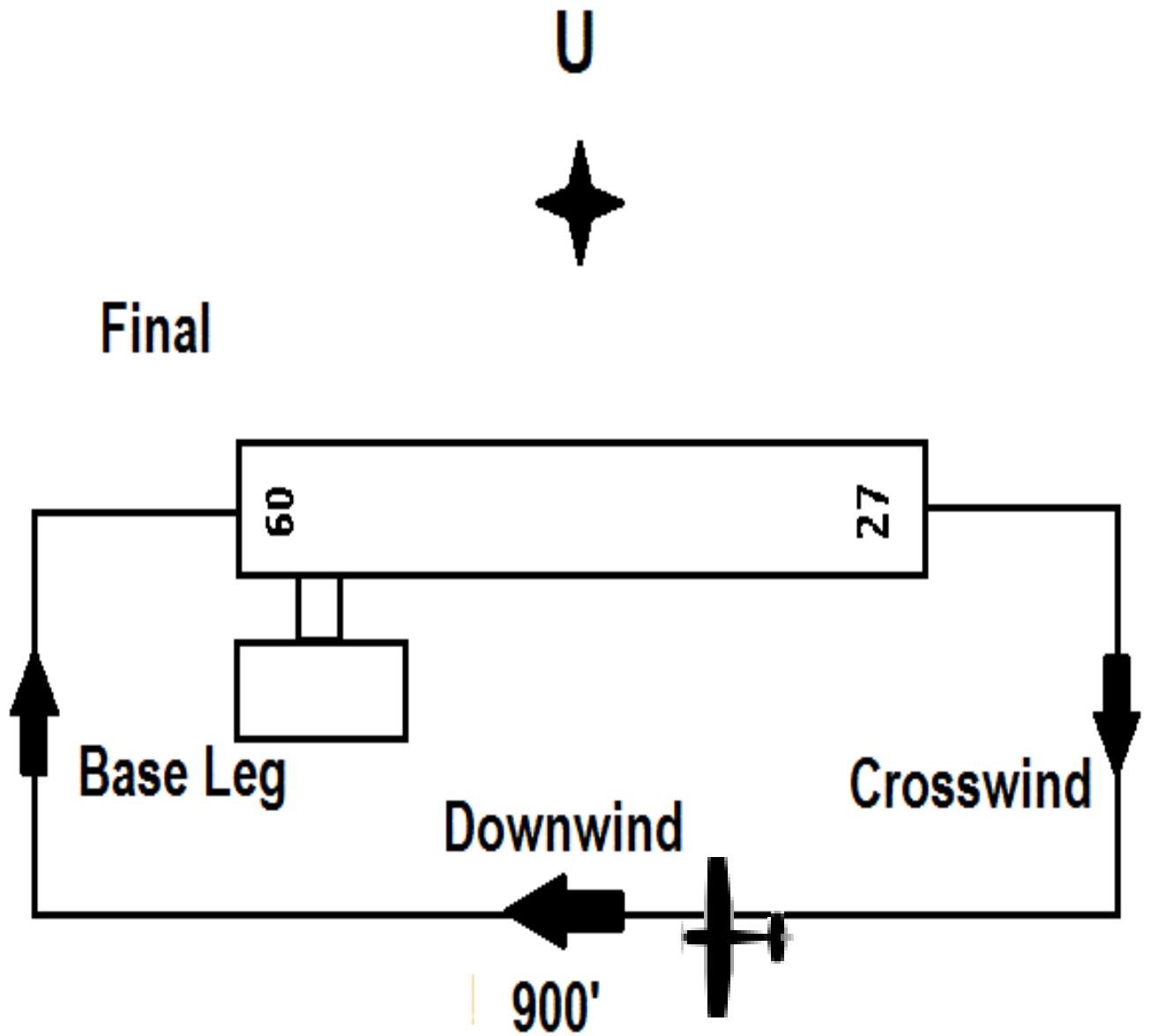
FIGUR F

CIRCUIT PROCEDURE RUNWAY 27



FIGUR G

CIRCUIT PROCEDURE RUNWAY 09

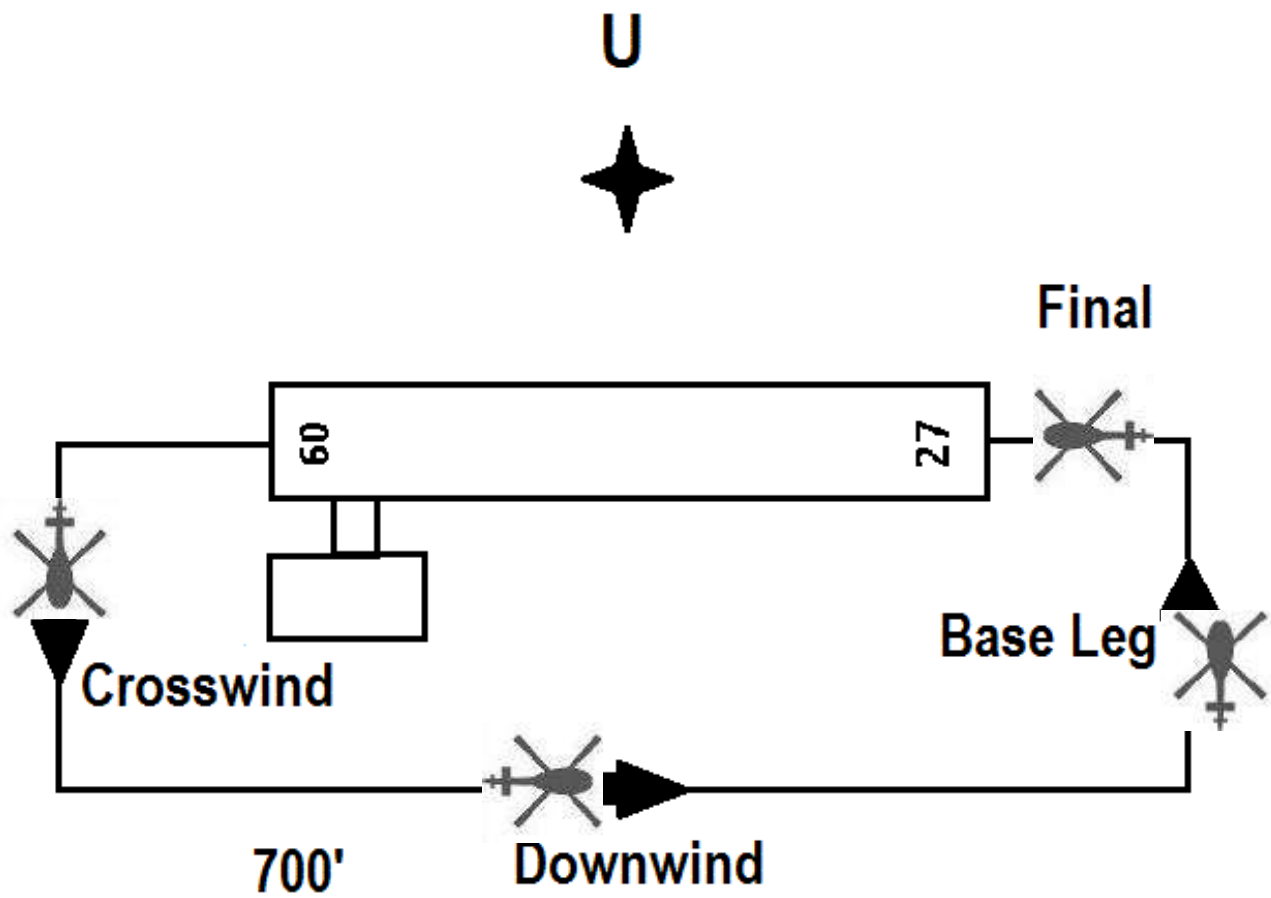


Last update: Auguts 2014



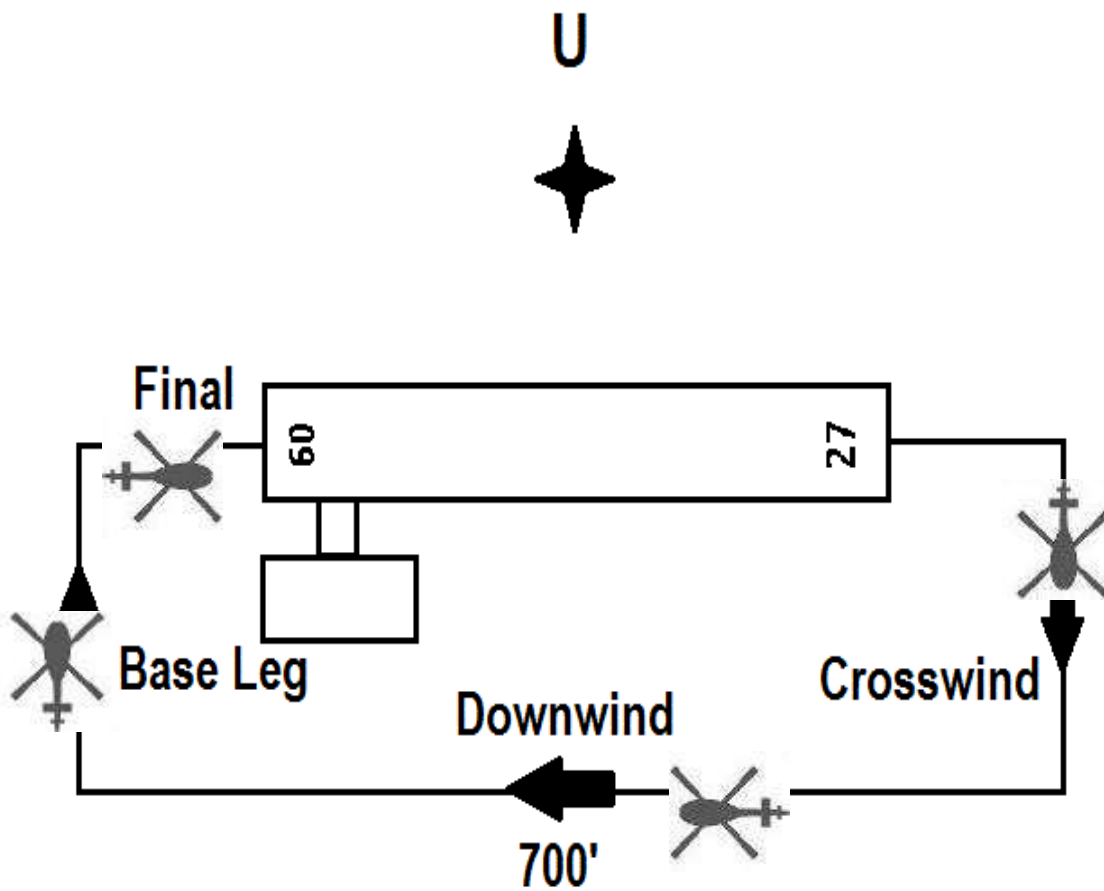
FIGUR H

HELICOPTER CIRCUIT PROCEDURE RUNWAY 27



FIGUR H 1

HELICOPTER CIRCUIT PROCEDURE RUNWAY 09

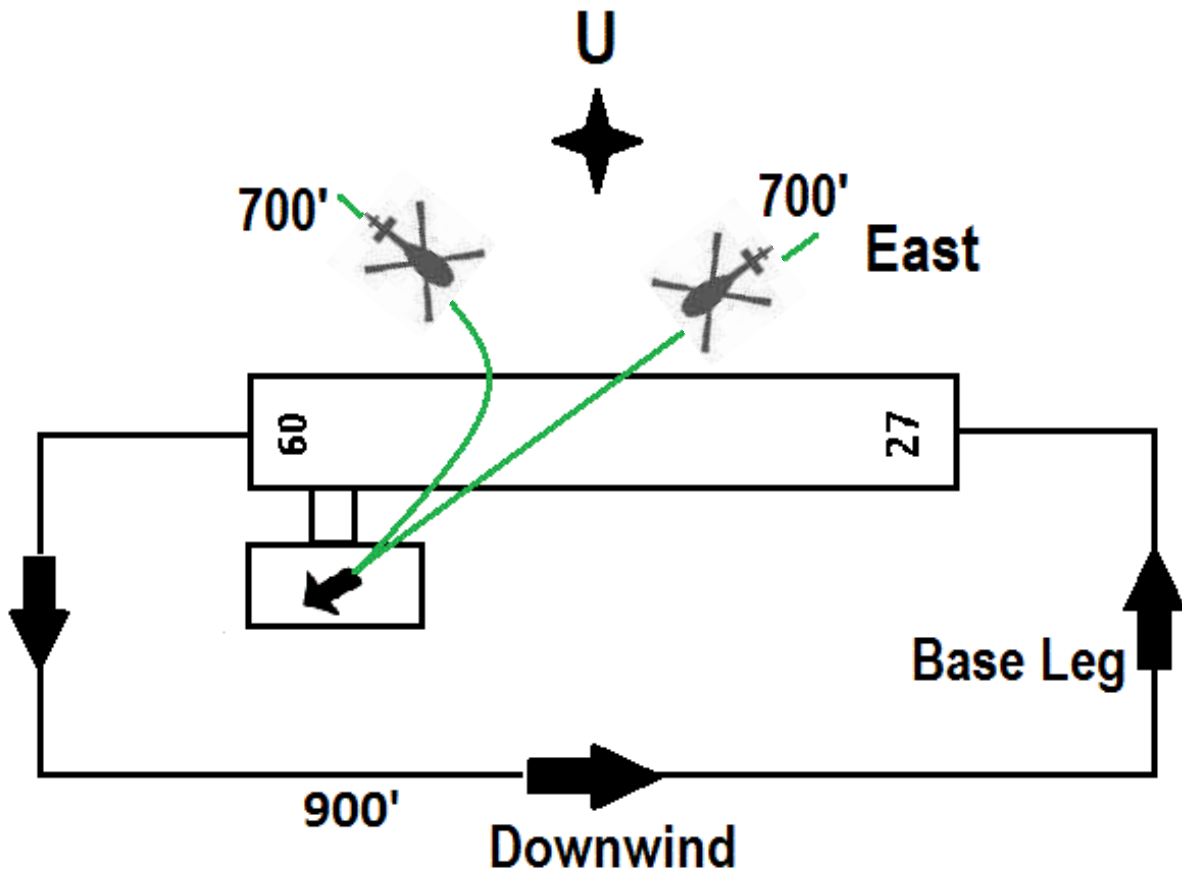


Last update: Auguts 2014



FIGUR I

HELICOPTER ARRIVAL RUNWAY 27 AND 09



Last update: Auguts 2014



FIGUR J

HELICOPTER DEPARTURE RUNWAY 27 AND 09

